

LXI Quick Start Guide

1 Software Installation

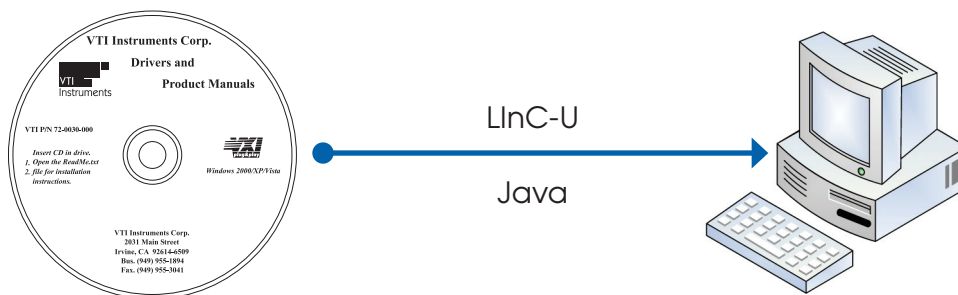
Host PC Requirements

- 32-bit Windows Operating System (i.e. Windows XP, Vista, 7, etc.).
- Internet Explorer.

Additional Required Software

- VTI's Instrument LAN Connection and Upgrade Interface (LnC-U).
 - Install LnC-U using the VTI_LnC-U_setup.exe found in <CD-ROM Drive>:\EX Platforms Requisites directory on distribution CD.
- Sun's Java Runtime Environment Version 6.0 or later.*
 - Install Java using the JRESetup.exe found in <CD-ROM Drive>:\EX Platforms Requisites directory on distribution CD.

Latest version of firmware for the mainframe and plug-in modules.
Available at <http://www.vtiinstruments.com/Downloads.aspx>

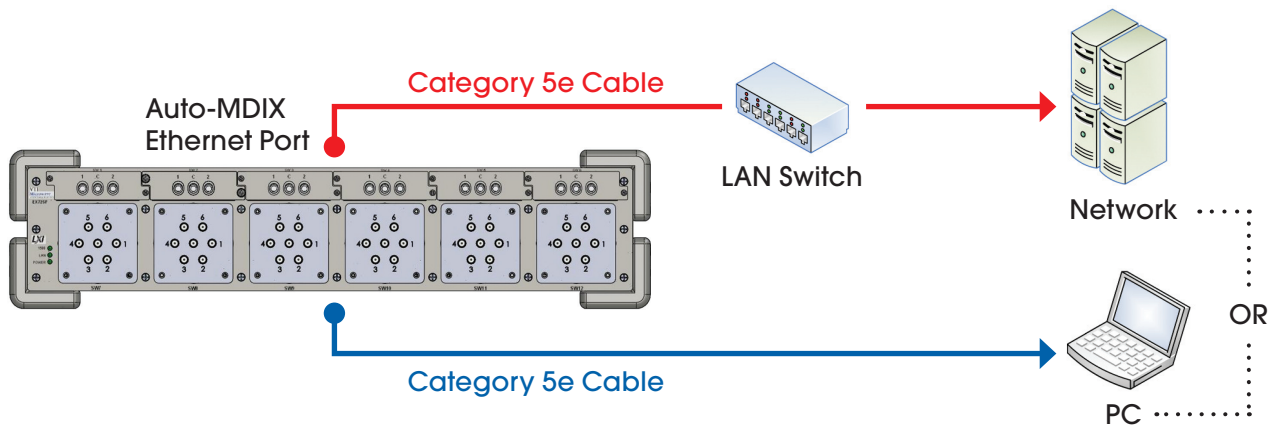


*Java installation not required for the EX10xxA series or the EX2500A as they do not utilize a soft front panel.

2 Install the Instrument

Connect Instrument Host PC/LAN

- Requires Category 5e Ethernet cable.
- If connecting to a LAN, a 10/100/1000 switch will be required as well.
- Connect the power cord to the LXI instrument and power on the device.
- Wait for the LAN LED to turn green. The device is now ready to be discovered.

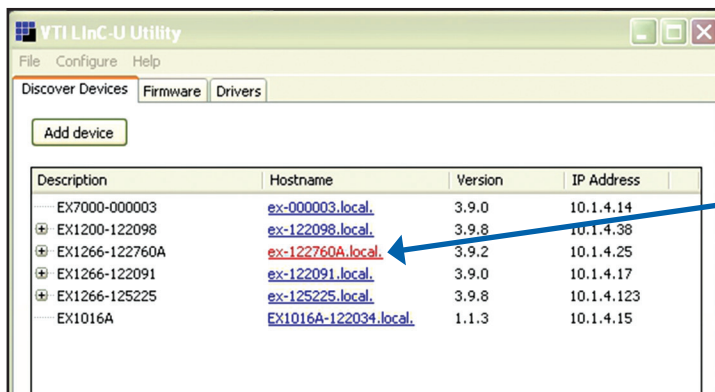


If unsure of the device's current network settings, reset the LAN settings using the LAN/RST (RESET) button. To do this, press and hold the LAN/RST or RESET button while the unit powers up.

3 Discover the Instrument

Open LInC-U

- Open LInC-U Utility (Start -> Programs -> VTI Instruments Corporation -> VTI LInC-U Utility).
- Click on the Hostname of the desired instrument.



Selected Instrument

4

Use the Embedded Web Page

Configure the Instrument

- Set network and time configuration, define a password, configure channel settings, and control the instrument over Ethernet.

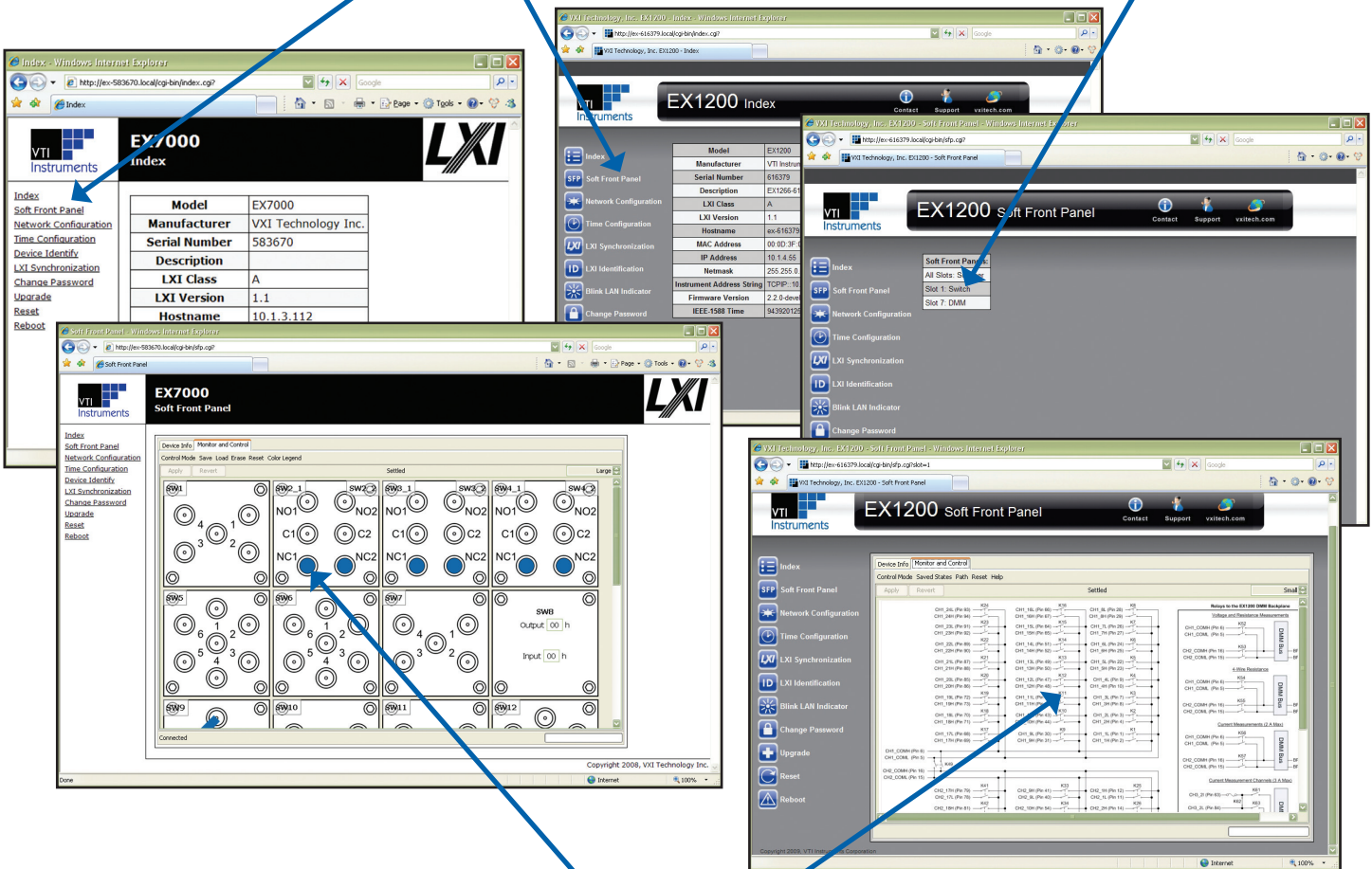
(Note, some pages may be password protected. Refer to the User's Manual for details.)

Access Soft Front Panel

- If available, click on the Soft Front Panel link in the command menu.
- Close relays, connect ports, set and/or change values information using the interactive controls.

Soft Front Panel Link

Switch Selection



Interactive Controls

5

Additional Resources

User's Manual

All LXI-compliant, VTI Instruments products ship with User's Manuals that provide:

- Product specifications.
- Driver installation instructions for programmatic control.
- Hardware and input/output connector detail.
- Detailed embedded web interface instructions.
- Basic theory of operation.

Device Specific IVI Programming Manual

- Provided for users that require programmatic control of their instruments.
- Background for using IVI-compliant drivers.
- Addressing and initialization examples.
- Application examples.

Technical Support

For technical support and assistance, please contact VTI Instruments:

- Phone: (949) 955-1894
- E-mail: support@vtiinstruments.com
- Web: www.vtiinstruments.com